

**T770**

**T870**

M-Series

M-Series

3475 lb. (1576 kg)

3525 lb. (1599 kg)

loader.

4965 lb. (2252 kg)

5030 lb. (2282 kg)

9929 lb. (4503 kg)

10072 lb. (4569 kg)

3100 lb. (1406 kg)

-

132 in. (3353 mm)

144 in. (3657 mm)

Vertical

Vertical

10327 lb. (4684 kg)

12678 lb. (5751 kg)

80 in. (2032 mm)

84.8 in. (2153 mm)

81.3 in. (2065 mm)

83.4 in. (2118 mm)

6.6 mph (10.8 km/hr.)

7.2 mph (11.6 km/hr.)

10.7 mph (17.2 km/hr.)

11.4 mph (18.4 km/hr.)

Interim Tier 4 Compliant

Interim Tier 4 Compliant

92 hp

99.2 hp

Turbo Diesel

Turbo Diesel

27.2 gal. (103.1 L)

35.6 gal. (134.8 L)

Std

Std

Yes

Yes

No

No

Std

Std

Std

Std

Std

Std

17.7 in. (450 mm)

17.7 in. (450 mm)

12.6 in. (320 mm)

-

4.2 psi

4.7 psi

5.9 psi

-

63.7 in. (1618 mm)

68.9 in. (1749 mm)

Opt

Std

Std

Std

5 (Triple Flange)

4

Std

-

Opt

-

Opt

Opt

Opt

Opt

-

Std

Opt

Opt

Std

Std

Std

Std

Opt

-

Opt

Opt

Opt

Opt

Opt

Opt

Std

Std

Std

Std

Opt

Opt

Opt

Opt

Std

Std

Opt

Opt

Opt

Opt

Std

Std

Std

Std

3500 psi

3500 psi

23 gpm (87.1 L/min.)

23.8 gpm (90.1 L/min.)

36.6 gpm (138.5 L/min.)

37.7 gpm (142.7 L/min.)

Std

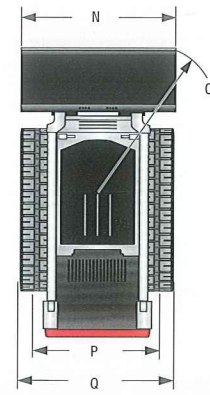
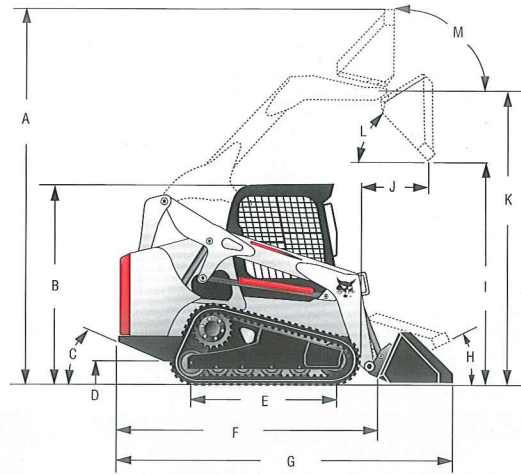
Std

Std

Std

Std

Std



	<b>T450</b>	<b>T550</b>	<b>T590</b>	<b>T630</b>
A	141.9 in. (3604 mm)	149.1 in. (3787 mm)	153.6 in. (3901 mm)	155.5 in. (3950 mm)
B	77.8 in. (1976 mm)	77.8 in. (1972 mm)	77.8 in. (1972 mm)	81.3 in. (2065 mm)
C	28°	28.8°	28.8°	31°
D	8.4 in. (213 mm)	7.3 in. (185 mm)	7.3 in. (185 mm)	8.1 in. (206 mm)
E	50.2 in. (1275 mm)	55.2 in. (1402 mm)	55.2 in. (1402 mm)	59 in. (1499 mm)
F	98.4 in. (2499 mm)	104.6 in. (2657 mm)	104.6 in. (2657 mm)	108.4 in. (2753 mm)
G	126.6 in. (3216 mm)	133 in. (3378 mm)	133 in. (3378 mm)	136.8 in. (3474 mm)
H	28°	30°	30°	31°
I	83.8 in. (2129 mm)	86.8 in. (2205 mm)	91.3 in. (2319 mm)	93.2 in. (2367 mm)
J	23.5 in. (597 mm)	19.3 in. (490 mm)	34.9 in. (887 mm)	24.1 in. (613 mm)
K	109.5 in. (2781 mm)	114.5 in. (2908 mm)	119 in. (3023 mm)	121 in. (3073 mm)
L	40°	42°	42°	42°
M	91°	97°	97°	97°
N	56.0 in. (1422 mm)	68 in. (1727 mm)	68 in. (1727 mm)	74 in. (1880 mm)
O	77.9 in. (1979 mm)	80 in. (2032 mm)	80 in. (2032 mm)	88.1 in. (2238 mm)
P	43.2 in. (1097 mm)	54.5 in. (1384 mm)	54.5 in. (1384 mm)	60.3 in. (1532 mm)
Q	55.0 in. (1397 mm)	67 in. (1704 mm)	67.1 in. (1704 mm)	72.9 in. (1851 mm)

	<b>T650</b>	<b>T750</b>	<b>T770</b>	<b>T870</b>
A	158.5 in. (4026 mm)	166.6 in. (4232 mm)	166.6 in. (4232 mm)	184.6 in. (4689 mm)
B	81.3 in. (2065 mm)	81.3 in. (2065 mm)	81.3 in. (2065 mm)	83.4 in. (2118 mm)
C	31°	31°	31°	33°
D	8.1 in. (206 mm)	8.1 in. (206 mm)	8.1 in. (206 mm)	8.6 in. (218 mm)
E	59 in. (1499 mm)	63.7 in. (1618 mm)	63.7 in. (1618 mm)	68.9 in. (1749 mm)
F	108.4 in. (2753 mm)	114.3 in. (2903 mm)	114.3 in. (2903 mm)	119.3 in. (3030 mm)
G	136.8 in. (3474 mm)	141.6 in. (2903 mm)	141.6 in. (2903 mm)	153.9 in. (3910 mm)
H	31°	32°	32°	31°
I	96.3 in. (2447 mm)	104.3 in. (2649 mm)	104.3 in. (2649 mm)	112.3 in. (2853 mm)
J	34.2 in. (870 mm)	33.6 in. (853 mm)	33.6 in. (853 mm)	36.5 in. (927 mm)
K	124 in. (3149 mm)	132 in. (3353 mm)	132 in. (3353 mm)	144 in. (3657 mm)
L	42°	42°	42°	42°
M	97°	98°	98°	98°
N	74 in. (1880 mm)	80 in. (2032 mm)	80 in. (2032 mm)	84.8 in. (2153 mm)
O	87.7 in. (2228 mm)	88 in. (2235 mm)	88 in. (2235 mm)	99 in. (2514 mm)
P	60.3 in. (1532 mm)	60.3 in. (1532 mm)	60.3 in. (1532 mm)	65.3 in. (1658 mm)
Q	72.9 in. (1851 mm)	78 in. (1981 mm)	78 in. (1981 mm)	83 in. (2108 mm)



**Training Resources**

Train operators and technicians in the safe operation and servicing of Bobcat equipment. Operator training courses, safety videos and other training materials are available at your Bobcat dealer's parts department or online at [Bobcat.com/training](http://Bobcat.com/training)

NOTE — Where applicable, dimensions are in accordance with Society of Automotive Engineers (SAE) and ISO standards. Specifications and design are subject to change without notice. Pictures of Bobcat loaders may show other than standard equipment. All dimensions are given for loader equipped with standard tracks. All dimensions are shown in inches. Respective metric dimensions are enclosed by parentheses. Bobcat Company complies with the requirements of ISO 9001 as registered with BSI.