

Swing Mechanism

75D

Swing Speed	10.5 rpm
Swing Torque	16 600 Nm (12,244 lb.-ft.)

Ground Pressure

600-mm (24 in.) Triple Semi-Grouser Shoes	26 kPa (3.7 psi)
450-mm (18 in.) Rubber Crawler Pads	34 kPa (4.9 psi)
450-mm (18 in.) Rubber Crawler Belt	34 kPa (4.9 psi)

Serviceability

Refill Capacities

Fuel Tank	135 L (35.7 gal.)
Cooling System	10.3 L (2.7 gal.)
Engine Oil with Filter	12.1 L (3.2 gal.)
Hydraulic Tank	56 L (15 gal.)
Hydraulic System	100 L (26 gal.)
Propel Gearbox (each)	1.2 L (1.3 qt.)

Operating Weights

With Full Fuel Tank; 79-kg (175 lb.) Operator;

0.41-m³ (0.53 cu. yd.), 762-mm (30 in.),
333-kg (735 lb.) Bucket; 1.62-m (5 ft. 4 in.)
Arm; 1383-kg (3,049 lb.) Counterweight;
and 2470-mm (8 ft. 1 in.) Blade

600-mm (24 in.) Triple Semi-Grouser Shoes	8048 kg (17,743 lb.)
450-mm (18 in.) Rubber Crawler Pads	7920 kg (17,461 lb.)
450-mm (18 in.) Rubber Crawler Belt	7898 kg (17,412 lb.)

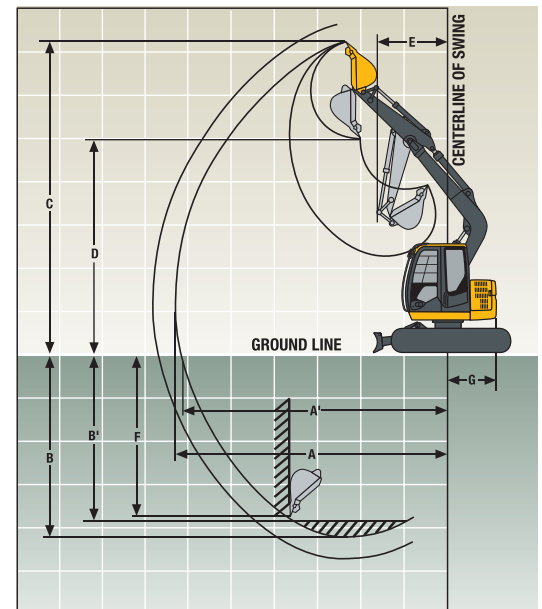
Optional Components

Undercarriage

600-mm (24 in.) Triple Semi-Grouser Shoes	1527 kg (3,366 lb.)
450-mm (18 in.) Rubber Crawler Pads	1377 kg (3,036 lb.)
One-Piece Boom (with arm cylinder)	465 kg (1,025 lb.)
Arm with Bucket Cylinder and Linkage	
1.62 m (5 ft. 4 in.)	233 kg (514 lb.)
2.12 m (6 ft. 11 in.)	270 kg (595 lb.)
Boom Lift Cylinder	89 kg (196 lb.)
Counterweight (standard)	1383 kg (3,049 lb.)

Operating Dimensions

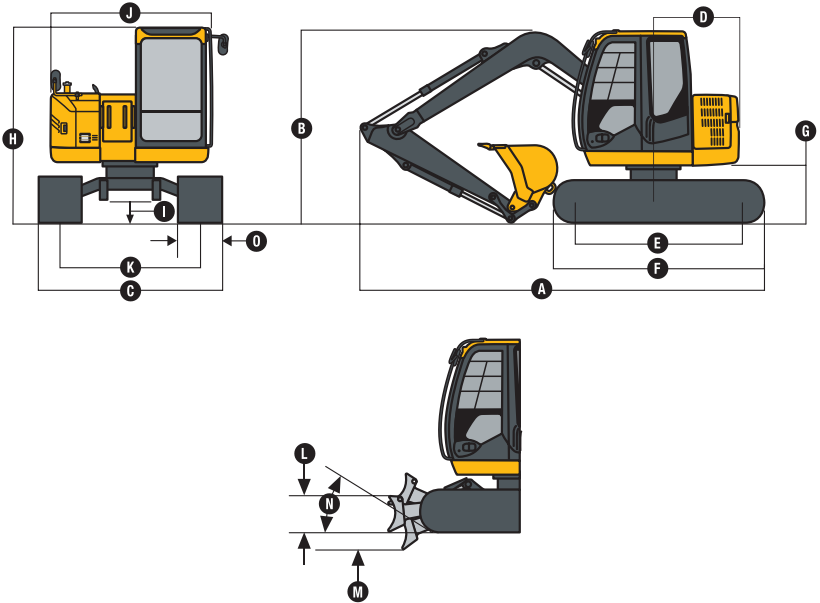
	<i>Arm Length 1.62 m (5 ft. 4 in.)</i>	<i>Arm Length 2.12 m (6 ft. 11 in.)</i>
Arm Force	38.1 kN (8,554 lb.)	32.1 kN (7,209 lb.)
Bucket Digging Force	55.0 kN (12,368 lb.)	55.0 kN (12,368 lb.)
Lifting Capacity Over Front at Ground Level		
6.1-m (20 ft.) Reach	1927 kg (4,248 lb.)	1883 kg (4,151 lb.)
A Maximum Reach	6.43 m (21 ft. 1 in.)	6.92 m (22 ft. 8 in.)
A' Maximum Reach at Ground Level	6.26 m (20 ft. 6 in.)	6.76 m (22 ft. 2 in.)
B Maximum Digging Depth	4.11 m (13 ft. 6 in.)	4.61 m (15 ft. 1 in.)
B' Maximum Digging Depth at 2.44-m (8 ft.) Flat Bottom	3.76 m (12 ft. 4 in.)	4.33 m (14 ft. 2 in.)
C Maximum Cutting Height	7.21 m (23 ft. 8 in.)	7.61 m (25 ft. 0 in.)
D Maximum Dumping Height	5.12 m (16 ft. 10 in.)	5.51 m (18 ft. 1 in.)
E Minimum Swing Radius	1.80 m (5 ft. 11 in.)	2.16 m (7 ft. 1 in.)
F Maximum Vertical Wall	3.67 m (12 ft. 0 in.)	4.22 m (13 ft. 10 in.)
G Tail Swing Radius	1.29 m (4 ft. 3 in.)	1.29 m (4 ft. 3 in.)



Machine Dimensions

75D

	<i>Arm Length</i> 1.62 m (5 ft. 4 in.)	<i>Arm Length</i> 2.12 m (6 ft. 11 in.)
A Overall Length	6.30 m (20 ft. 8 in.)	6.37 m (20 ft. 11 in.)
B Overall Height	2.60 m (8 ft. 6 in.)	2.83 m (9 ft. 3 in.)
C Undercarriage Width: 600-mm (24 in.) Triple Semi-Grouser Shoes	2.47 m (8 ft. 1 in.)	
450-mm (18 in.) Rubber Crawler Pad	2.37 m (7 ft. 9 in.)	
450-mm (18 in.) Continuous Rubber Belt	2.37 m (7 ft. 9 in.)	
D Rear-End Length/Swing Radius	1.29 m (4 ft. 3 in.)	
E Distance Between Idler/Sprocket Centerline	2.29 m (7 ft. 6 in.)	
F Undercarriage Length	2.92 m (9 ft. 7 in.)	
G Counterweight Clearance	0.76 m (30 in.)	
H Cab Height	2.69 m (8 ft. 10 in.)	
I Ground Clearance	360 mm (14 in.)	
J Upperstructure Width	2.25 m (7 ft. 5 in.)	
K Gauge Width	1.87 m (6 ft. 2 in.)	
L Blade Height	460 mm (18 in.)	
Blade Width	2.47 m (8 ft. 1 in.)	
Blade Lift Height	380 mm (15 in.)	
M Blade Cut Below Grade	280 mm (11 in.)	
N Blade Lift Angle	27 deg.	
Rear-End Length with Blade	1.88 m (6 ft. 2 in.)	
O Track Width: 600-mm (24 in.) Triple Semi-Grouser Shoes	600 mm (24 in.)	
450-mm (18 in.) Rubber Crawler Pad	450 mm (18 in.)	
450-mm (18 in.) Continuous Rubber Belt	450 mm (18 in.)	
Track Height (with triple grouser shoes)	650 mm (26 in.)	



Lift Capacities

Boldface italic type indicates hydraulic-limited capacities; lightface type indicates stability-limited capacities, in kg (lb.). Ratings at bucket lift hook; machine equipped with 3.72-m (12 ft. 8 in.) boom, 0.28-m³ (0.37 cu. yd.) bucket; and situated on firm, uniform supporting surface. Total load includes weight of cables, hook, etc. Figures do not exceed 87 percent of hydraulic capacities or 75 percent of weight needed to tip machine. All lift capacities are based on SAE J1097.

Load Point Height	3.05 m (10 ft.)		4.57 m (15 ft.)		6.10 m (20 ft.)	
	Over Front	Over Side	Over Front	Over Side	Over Front	Over Side
<i>With 1.62-m (5 ft. 4 in.) arm, either 450-mm (18 in.) rubber crawler pads or 450-mm (18 in.) rubber crawler belt, and 2.32-m (7 ft. 7 in.) blade on ground</i>						
3.05 m (10 ft.)	1733 (3,821)	1733 (3,821)	1481 (3,265)	1435 (3,163)		
1.52 m (5 ft.)	2978 (6,566)	2527 (5,570)	1840 (4,056)	1355 (2,987)		
Ground Line	3482 (7,676)	2398 (5,286)	2136 (4,709)	1289 (2,842)		
-1.52 m (-5 ft.)	3288 (7,249)	2397 (5,285)	2112 (4,657)	1273 (2,807)		
-3.05 m (-10 ft.)	2386 (5,260)	2386 (5,260)				
<i>With 2.12-m (6 ft. 11 in.) arm, either 450-mm (18 in.) rubber crawler pads or 450-mm (18 in.) rubber crawler belt, and 2.32-m (7 ft. 7 in.) blade on ground</i>						
4.57 m (15 ft.)			1118 (2,464)	1118 (2,464)		
3.05 m (10 ft.)	1302 (2,871)	1302 (2,871)	1259 (2,775)	1259 (2,775)		
1.52 m (5 ft.)	2537 (5,593)	2537 (5,593)	1658 (3,656)	1363 (3,006)	1394 (3,073)	834 (1,838)
Ground Line	3357 (7,400)	2397 (5,285)	2032 (4,479)	1281 (2,824)	1277 (2,816)	806 (1,776)
-1.52 m (-5 ft.)	3396 (7,486)	2360 (5,202)	2141 (4,721)	1246 (2,748)		
-3.05 m (-10 ft.)	2806 (6,187)	2409 (5,312)				
<i>With 1.62-m (5 ft. 4 in.) arm, 600-mm (24 in.) triple semi-grouser shoes, and 2.47-m (8 ft. 1 in.) blade on ground</i>						
3.05 m (10 ft.)	1733 (3,821)	1733 (3,821)	1481 (3,265)	1554 (3,426)		
1.52 m (5 ft.)	2978 (6,566)	2592 (5,714)	1840 (4,056)	1393 (3,070)		
Ground Line	3482 (7,676)	2463 (5,430)	2136 (4,709)	1326 (2,924)		
-1.52 m (-5 ft.)	3288 (7,249)	2463 (5,429)	2112 (4,657)	1311 (2,890)		
-3.05 m (-10 ft.)	2386 (5,260)	2386 (5,260)				